



SLS2

SLS2-176-220-275-330 TONS

Straight Side Link Motion Presses - SLS2 Series



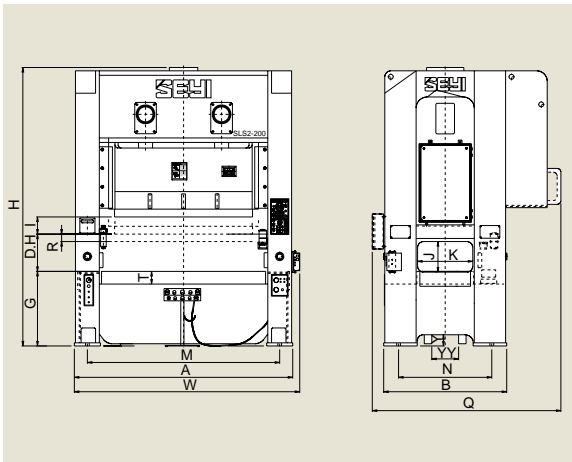
Features

- 1. The unitized frame was designed using Finite Element Analysis to offer an optimized solution for minimal deflection. This results in a sturdy press for general purpose stamping at an affordable price.*
- 2. The compact press design can fit into most facilities with low ceilings and the bed design features scrap openings and a reserved space for a conveyor under the bed.*
- 3. Link motion features reduced slide velocity during the working portion of the stroke minimizing spring back and extending die life*
- 4. SEYI's patented high-torque wet clutch and brake system provides low noise, long-life operation with minimal maintenance.*
- 5. Wintriss WPC1000 user-friendly control system is fully OSHA compliant.*
- 6. The variable frequency drive is more energy efficient and saves up to 30% on electricity demand.*

Specifications and dimensions

Model	SLS2-176		SLS2-220		SLS2-275		SLS2-330		
	S	H	S	H	S	H	S	H	
Capacity	US Tons 176		220		275		330		
Stroke Length	(I) in 7.87 5.12		9.06 5.91		9.84 7.09		11.02 7.09		
Stroke per Minute	s.p.m 30~55 40~90		25~45 35~80		22~40 30~70		20~35 30~60		
Tonnage Rating Point	in 0.24 0.20		0.28 0.20		0.28 0.24		0.28 0.28		
Die Height	(D.H) in 17.72 15.75		19.69 17.72		21.65 17.72		21.65 17.72		
Slide Adjustment	(R) in 3.94		3.94		4.72		4.72		
Slide Area	(L.F.×F.B.) in 61.42×25.59		72.83×29.53		82.68×32.28		82.68×35.43 94.49×35.43		
Bolster Area	(L.F.×F.B.) in 72.83×29.92		86.61×33.07		98.43×36.22		98.43×39.37 110.24×39.37		
Knock Out Holes	in Ø2.00×3 holes		Ø2.00×3 holes		Ø2.00×3 holes		Ø2.00×3 holes		
Bolster Thickness	(T) in 6.30		6.69		7.09		7.87		
Bolster Height	(G) in 37.40		39.37		43.31		45.28		
Main Motor & V.F.D.	HP×P 20HP×4P		25HP×4P		30HP×4P		40HP×4P		
Slide Adjustment Motor	HP×P 2HP×4P		2HP×4P		2HP×4P		2HP×4P		
Window Opening	width (K) in	25.98		29.13		32.28		35.43	
	height (J) in	15.75	13.78	17.72	15.75	19.69	15.75	19.69	15.75
Foot Size	(A×B) in 100.79×56.30		115.35×64.96		129.53×70.47		129.53×73.62 141.34×73.62		
Required Floor Space	(W×Q) in 105.12×92.91		119.69×101.77		133.86×107.87		132.28×114.17 144.09×114.17		
Overall Height	(H) in 133.26 130.51		152.36 149.21		160.83 158.07		174.80 169.29		
Bed Frame Scrap Opening	(YY×Y) in 15.4×5.9 12.6×5.9		18.5×7.9 14.2×7.9		18.9×7.9 15.8×7.9		20.5×7.9 16.5×7.9		
Air Counter Balance Capacity (72 psi / 86 psi)	lbs 1160/2200		1380/2860		1430/3600		4400/8150		
Die Cushion(Optional)									
Capacity	US Tons 7.7×2		-		10.6×2		-		
Stroke Length	in 3.15		-		3.94		-		
Pad Area	(R.L.×F.B.) in x pcs 22.05×14.57×2		-		27.56×17.72×2		-		

Layout Drawing



Standard Attachments

1. Variable frequency drive
2. Flywheel brake and main motor FWD/REV control
3. Combination wet clutch/brake
4. Motorized slide adjustment
5. Hydraulic overload protection
6. Automatic grease lubrication system
7. Air counter balance system
8. Air counter balance cylinder manual oiler
9. Die height indicator
10. OSHA, ANSI and CSA compliant control system
11. 6-Digit electronic counter.
12. Mis-feed detector
13. Air ejector and outlet
14. Portable operator T-stand
15. Maintenance tool kit system

Optional Attachments

1. Quick Die Change System
2. Light Curtains
3. Tonnage Monitor
4. Isolation mounts
5. Custom Control Configurations



SEYI-AMERICA, INC.

203 Lemon Creek Dr., Unit A Walnut, CA 91789.

TEL: 909.839.1151 FAX: 909.839.1150